

Motorized Cross Slide 300 kg @ 300 kg @ 23" GC; 200 mm (x-axis) x 200 mm (y-axis): One Unit

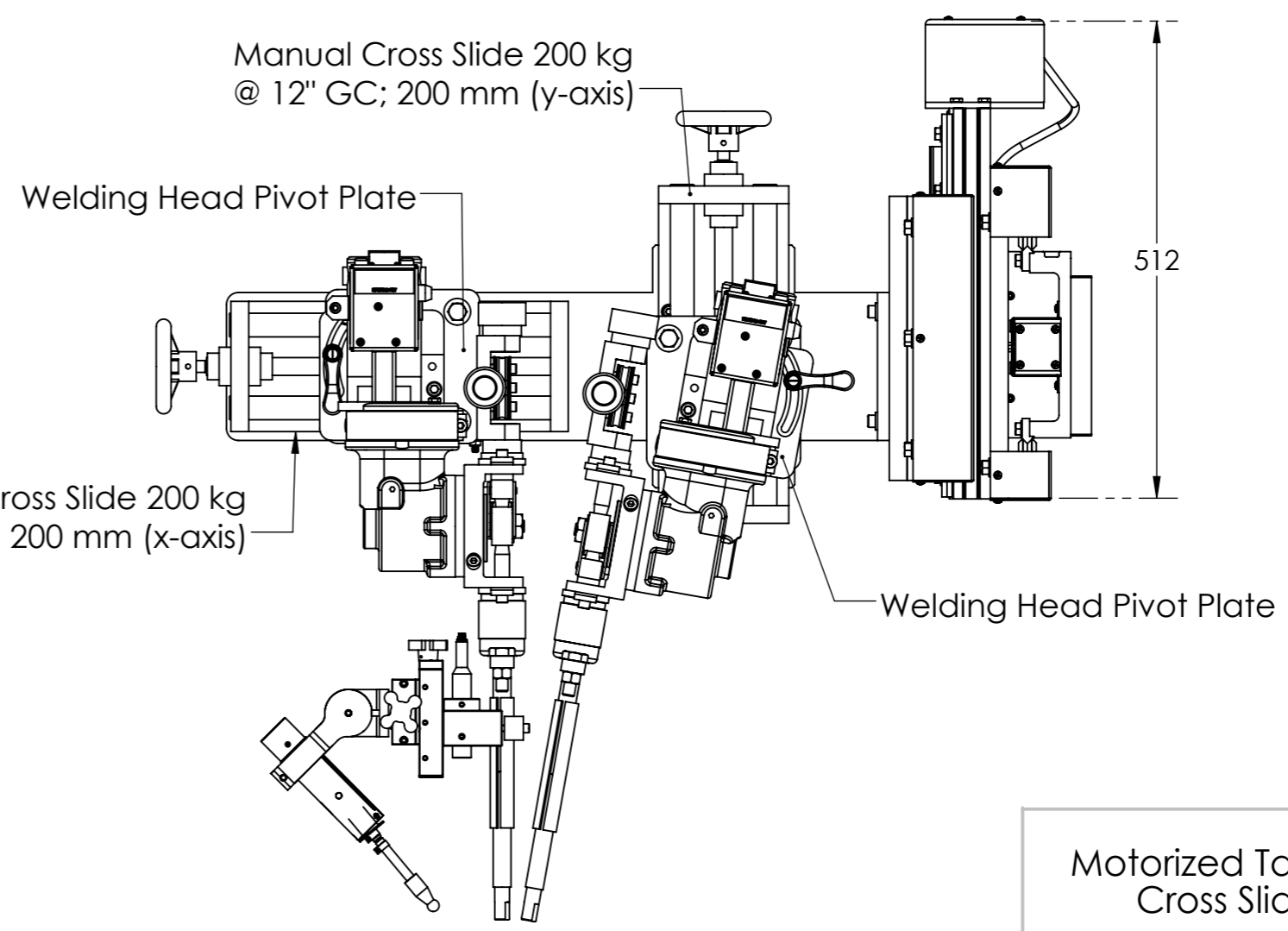
Lincoln Welding Heads NOT INCLUDED

Motorized Tandem Head Cross Slide, 300 kg

1. Main cross slide, one unit
2. Max load 300 kg @ 23" GC.
3. Stroke: 200 mm x 200 mm (8" x 8")
4. Horizontal manual cross slide, one unit
5. Max load: 200 kg, @ 12" GC.
6. Stroke: 200 mm with pivot
7. Vertical manual cross slide, one unit
8. Max load 200 kg, @ 12" GC.
9. Stroke: 200 mm with pivot
10. 90-degree swivel, one-unit
11. L-Mounting bracket
12. Hand pendant control (up/down & left/right)

Not included: Lincoln Hooper, Lincoln Welding Heads and Lincoln Controller

Note:
 1. All dimensions in mm.
 2. Dimensions and specifications are subject to change without notice at the discretion of the manufacturer.



Manual Cross Slide 200 kg @ 12" GC; 200 mm (y-axis)

Welding Head Pivot Plate

512

Manual Cross Slide 200 kg @ 12" GC; 200 mm (x-axis)

Welding Head Pivot Plate

Motorized Tandem Head Cross Slide, 300 kg	
Irizar Heavy Industries Inc.	A3
SCALE:1:12	SHEET 1 OF 1