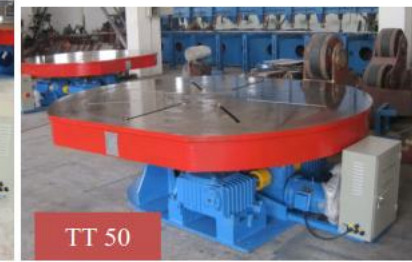
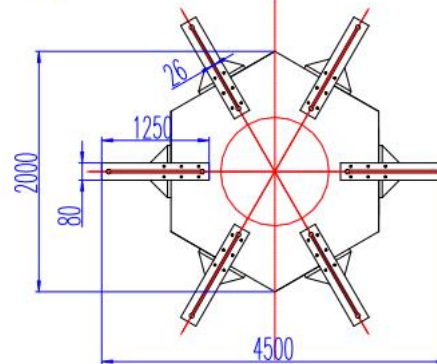
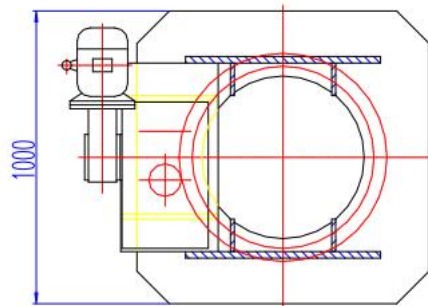
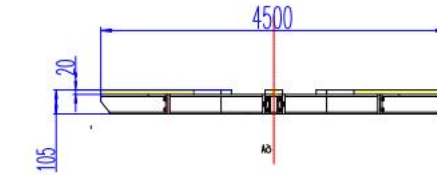
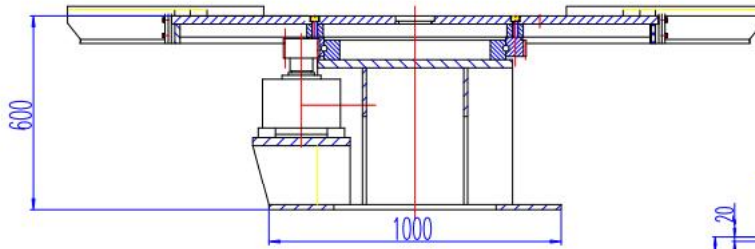




TT 5



TT 50



**TUNTABLE MODEL TT 5
WITH EXTENSION ARMS**



IRIZAR HEAVY INDUSTRIES INC

1512 ADAMSON VIEW, EDMONTON
ALBERTA T6W 0V4, CANADA
PHONE: 1 780 450 6695
WEB: WWW.IRIZAR.COM

CUSTOM BUILT UNIT, SPECS:

1. Load and rotation capacity: 5 metric tons
2. Rotation speed: 0.05 to 0.50 RPM
3. Table Diameter: 2,000 mm
4. Extension arms for reach up to: 4,000 mm Ø work piece
5. Rotation motor power: 15 kW